

Technical data

Supply Voltage: 240 V~, 50 Hz

Bulb Type: 1 x Max. 28W E27 Eco GLS (check bulb dimensions in relation to space available)



Conformity with all relevant EC Directive requirements.



This is a Class 1 product and must be earthed.



Waste electrical products should not be disposed of with household waste. Please recycle where facilities exist. Check with your Local Authority or local store for recycling advice.



This product is suitable for dimming.



This product is rated at IP44.

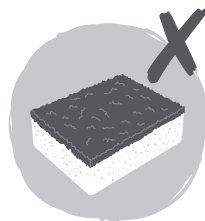
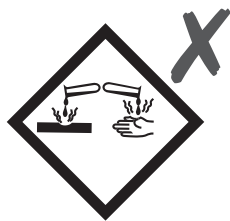
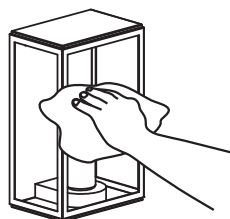
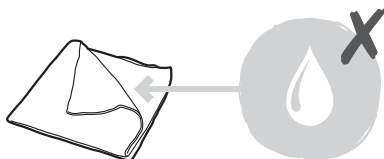
Care and Safety

We recommend cleaning with a soft dry cloth. Do not use solvents or abrasive cleaners as these could damage the finish.

For your safety, always switch off the power supply before changing lightbulbs, or cleaning.



The bulb source is protected by the clear glass body. The glass must be replaced immediately should it become cracked or damaged. This fitting must not be used without the glass in place.



Instruction manual

OXFORD WALL LAMP

80600



Thank you for purchasing this light fitting. Please read the instructions carefully before use to ensure safe and satisfactory operation of this product. Please retain these instructions for future reference.

Warning

This is a Class 1 product and must be earthed.

Please read these instructions carefully before commencing any work.

This unit must be fitted by a competent and qualified electrician.

Install in accordance with the IEE Wiring regulations and current Building Regulations.

Check the pack and make sure you have all the parts listed.

To prevent electrocution switch off at the mains supply before installing or maintaining this fitting.

Ensure other persons cannot restore the electrical supply without your knowledge.

This light fitting should be connected to a fused circuit.

If you are in any doubt, please consult a qualified electrician.

This product contains glass so care must be taken when fitting or handling to prevent personal injury or damage to the product.

If replacing an existing fitting, make a careful note of the connections.

This product is suitable for installation on surfaces with normal flammability e.g. wood, masonry. It is not suitable for use on highly flammable surfaces or in flammable atmospheres.

Never put anything on the product or hang anything on any part of this product.

This product is dimmable when used with a dimmable bulb.

Waste electrical products should not be disposed of with household waste. Please recycle where facilities exist. Check with your local authority or retailer for recycling advice.

Layout

Plan the desired layout of these fittings carefully, ensuring the cables will reach the distances between the junction box and the each light fitting.

Cables in walls must be protected using suitable conduit or plastic trunking.

The mains supply cable must have a minimum cross sectional area of 1.0mm².

Take care not to drill into any pipes or mains cables beneath the surface during mounting holes preparation.

Installation

Existing fittings must be completely removed before installation of a new product. Before removing the existing fitting, carefully note the position of each set of wires.

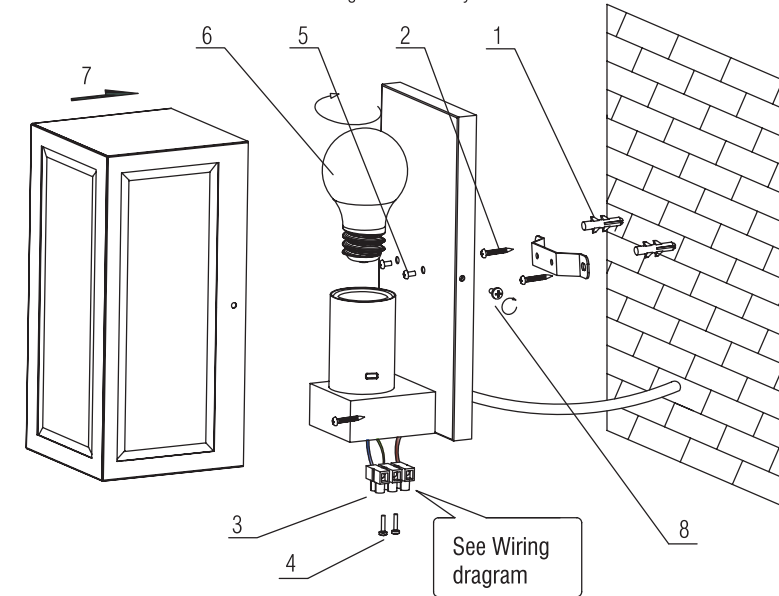
Note that the switch is turned off before installation.

Ensure that the screws and cable entry points are sealed to maintain the IP rating of the product.

After deciding the layout of the light fittings ensure that the cables are long enough to connect to desired positions.

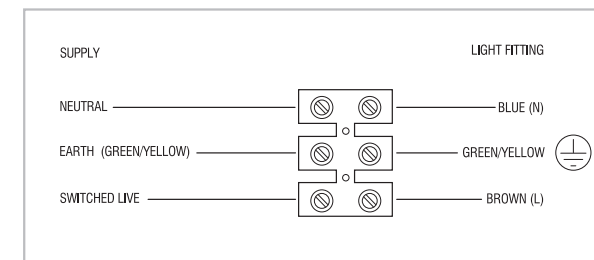
Ensure the wall is capable of holding the weight of the product. Take care to avoid damaging any concealed wiring and pipes. The correct fixings should be used for brick, cavity walls or plasterboard.

- Remove the fixing bracket by undoing the 2 screws, retain these for re-use.
- Follow the installation steps below to install.
- Fix the product into position.
- Replace fuse or circuit breaker and switch on. Your light is now ready for use.



Wiring

Having correctly identified the wiring from your existing light fitting, pull the wire through the hole and connect to the connection block inside the product in the following way:



Check that...

You have correctly identified the wires

The connections are tight

No loose strands have been left out of the connection block

When completed, ensure that there are no bare or loose strands of wire exposed, and cover all exposed areas of the connection block with 2 layers of insulation tape.